

HPE-300

Ruggedized Camera Power Supply for Grass Valley Cameras



Compact, easy-to-deploy camera power solutions.

The Grass Valley HPE-300 is a ruggedized camera power supply that is the perfect companion for Grass Valley cameras, including the latest LDX 100. The HPE-300 provides 300W power to support any camera configuration, including box lenses with SuperXpanders. The HPE-300 allows you to extend the distance between the camera and CCU up to 3 km, providing power over SMPTE hybrid cable to the camera.

Designed to meet professional camera operational requirements, the HPE-300 can be installed in a standard 19" rack, 2 RU tall, with up to three units installed side-by-side on the rack tray. Individual units can also be used in the field as throwdown gear with the option of a water/dustproof case for outdoor use.

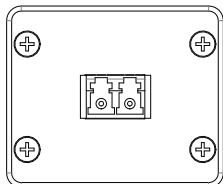
For quick and easy camera setup, the HPE-300 provides at-a-glance LED status indicators as well as dual power connections with an automatic failover to protect against that unforeseen moment in the field when someone accidentally pulls a cable.

When conversion from SMPTE Hybrid Cable to single-mode fiber is required at the CCU, the Grass Valley SHED can be used in combination with the HPE-300. SHED stands for SMPTE Hybrid Elimination Device. It is a small adapter that allows you to use ordinary single-mode optical fiber for camera links and in venue/facility infrastructure, and eliminate bulky hybrid wire/fiber.

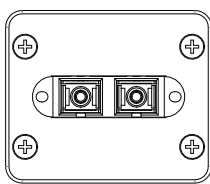
KEY FEATURES

- Provides camera power up to 3 km away
- At-a-glance LED status indicators for:
 - “Cable Fault” SMPTE cable status
 - “Overload”
 - “Overtemp”
 - Standby/ON
 - Camera connection
 - Second AC input (option)
- Water/dustproof throwdown enclosure
- Space saving rackmount tray holds three units side by side in 2 RU
- Dual power inputs with auto fail-over
- High voltage protection
- Quiet fan operation
- Choice of fiber connections

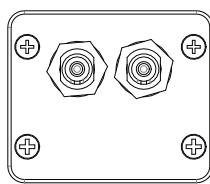
Universal Fiber Plates



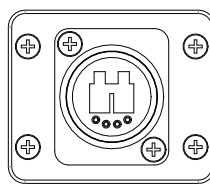
UFP-2LC



UFP-2SC
UFP-2SCA



UFP-2STSM



UFP-NOC2



SPECIFICATIONS

Electro-Optical

Fiber type: Single mode

Passive dark I/O (Fiber only, no power connector)

Choice of fiber connections through Universal Fiber Plate (UFP):

- LC/UPC
- ST/UPC
- SC/UPC
- SC/APC
- Neutrik OpticalCon Duo

Hybrid out with power connector: Lemo SMPTE ST 304 mounted on rear panel

Compatible Cameras

LDX series and Focus 75 cameras using the 3G fiber adapter or the Universe XF adapter

Mechanical/Environmental

Dimensions (WxHxD):

- 140 x 85 x 413 (447 with cable retainers) mm
- 5.5 x 3.35 x 16.25 (17.6 with cable retainers) in.
- Fits 2 RU mounting

Weight: 2.35 kg (5.2 lbs.)

Operating temperature range: -20 to 45°C (-4 to 113°F)

Operating humidity range: 0–95% RH

Power Consumption

Auto-failover dual 100–240 VAC 5.3-2.7A MAX 50/60 Hz AC inputs on rear panel

Power Outputs

Lemo SMPTE ST 304
300W (300 VDC, 1A)

ORDERING

Power Supply

HPE-300

Hybrid Power Extender, 300W, Single AC input. UFP required

HPE-300-2AC

Hybrid Power Extender, 300W, Dual AC input with auto-failover. UFP required

Options for HPE-300

HPE-TRAY

Rackmount shelf for up to three HPE-300 or HPE-300-2AC

HPE-ENCL

Splash-proof enclosure for HPE-300 or HPE-300-2AC

HPE-HANDIPAK

Optional feet and handle kit for HPE-300 or HPE-300-2AC

UFP Plates — Universal Fiber Plates

UFP-2LC

LC/UPC duplex connector

UFP-2STSM

Dual ST/UPC fiber connectors

UFP-NOC2

Neutrik OpticalCon Duo

UFP-2SC

2 SC/UPC fiber connectors (duplex)

UFP-2SCA

2 SC/APC fiber connectors (duplex)

SHED

SHED-BS

SMPT Hybrid Elimination Device (SHED). Universal base station end. Standalone (UFP required on both ends).

UFP Plates for SHED-BS

One End:

UFP-304F Universal fiber panel – SMPTE ST 304 FEMALE

Second End (choose one from below):

UFP-2ST Universal fiber panel – 2 ST fiber connectors

UFP-2SC Universal fiber panel – 2 SC fiber, ultra polished

UFP-2SCA Universal fiber panel – 2 SC fiber, angle polished

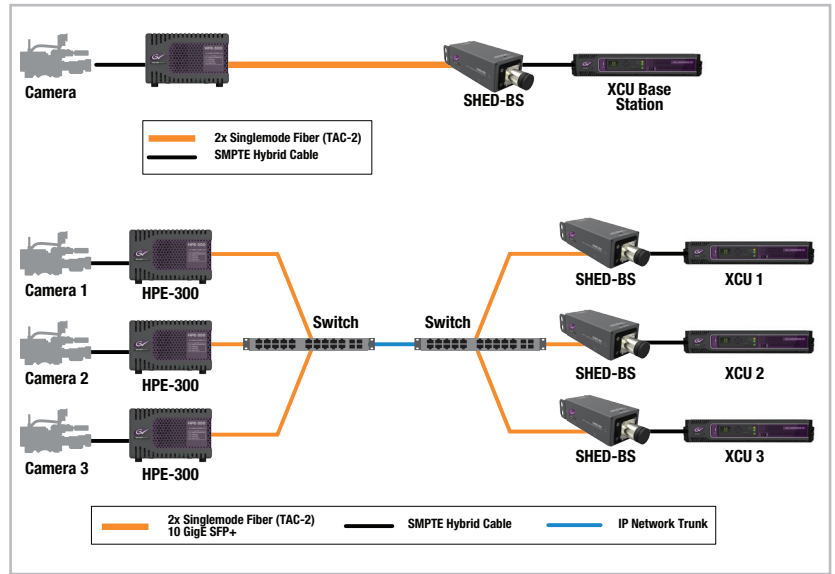
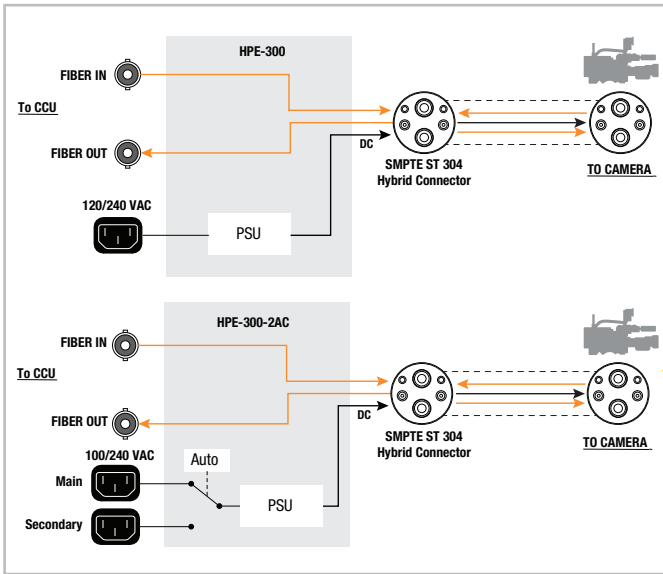
UFP-2LC Universal fiber panel – Dual LC connector

UFP-NOC2 Universal fiber panel – Neutrik OpticalCon Duo (for tactical/unpowered fiber)

Options for SHED

SHED-TRAY

SHED tray fits 8 devices, 2 RU, rackmountable



WWW.GRASSVALLEY.COM

Join the Conversation at **GrassValleyLive** on Facebook, Twitter, YouTube and **Grass Valley** on LinkedIn.



www.grassvalley.com/blog

This product may be protected by one or more patents. For further information, please visit: www.grassvalley.com/patents.

Belden®, Belden Sending All The Right Signals®, the Belden logo, Grass Valley®, GV® and the Grass Valley logo are trademarks or registered trademarks of Belden Inc. or its affiliated companies in the United States and other jurisdictions. Grass Valley products listed above are trademarks or registered trademarks of Belden Inc., GVBB Holdings S.A.R.L. or Grass Valley Canada. Belden Inc., GVBB Holdings S.A.R.L., Grass Valley Canada and other parties may also have trademark rights in other terms used herein.

Copyright © 2020 Grass Valley Canada. All rights reserved. Specifications subject to change without notice.